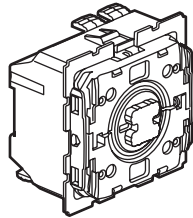


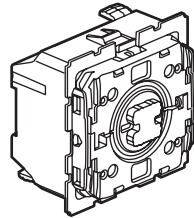
Céliane™

Opening controls

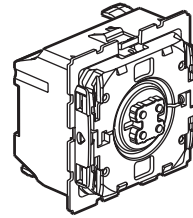
Cat. No(s): 0 676 01/02/03



0 676 01



0 676 02



0 676 03

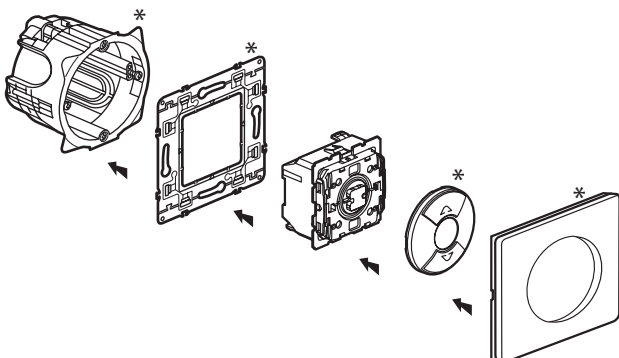
1. USE

Control mechanisms for roller shutters, blinds and awnings.

2. RANGE

	Designation	Cat. No.
	Switch for roller shutters / blinds / awnings	0 676 01
	Pushbutton for roller shutters / blinds / awnings	0 676 02
	Pushbutton direct control for roller shutters / blinds / awnings	0 676 03

3. PREPARATION



* Not supplied with the mechanism

1 - The mechanism is clipped on the support

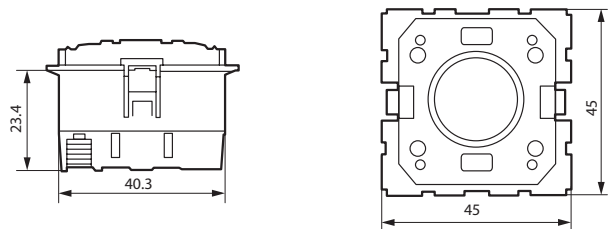
2 - The cover plate (rocker + ring) is clipped to the mechanism

3 - The plate is clipped to the support

Can be fitted with the full range of Céliane finishes.

Vertical and horizontal multi-gang mounting.

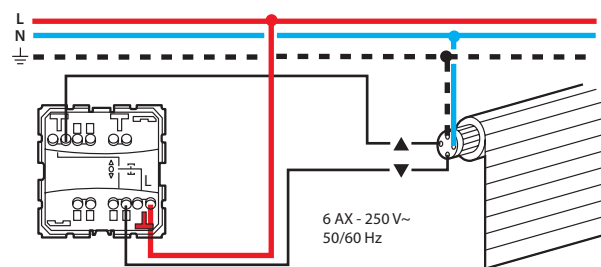
4. OVERALL DIMENSIONS



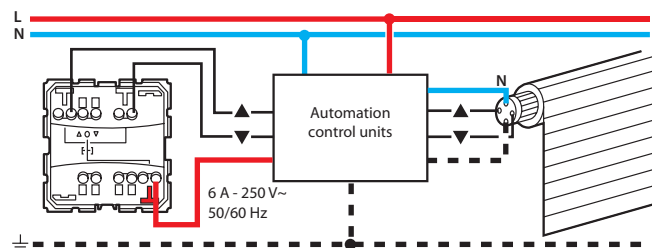
5. CONNECTION

Terminal type: automatic
 Stripping: 13 mm
 Terminal capacity: 2 x 2.5 mm²

Switch wiring (Cat. No. 0 676 01)

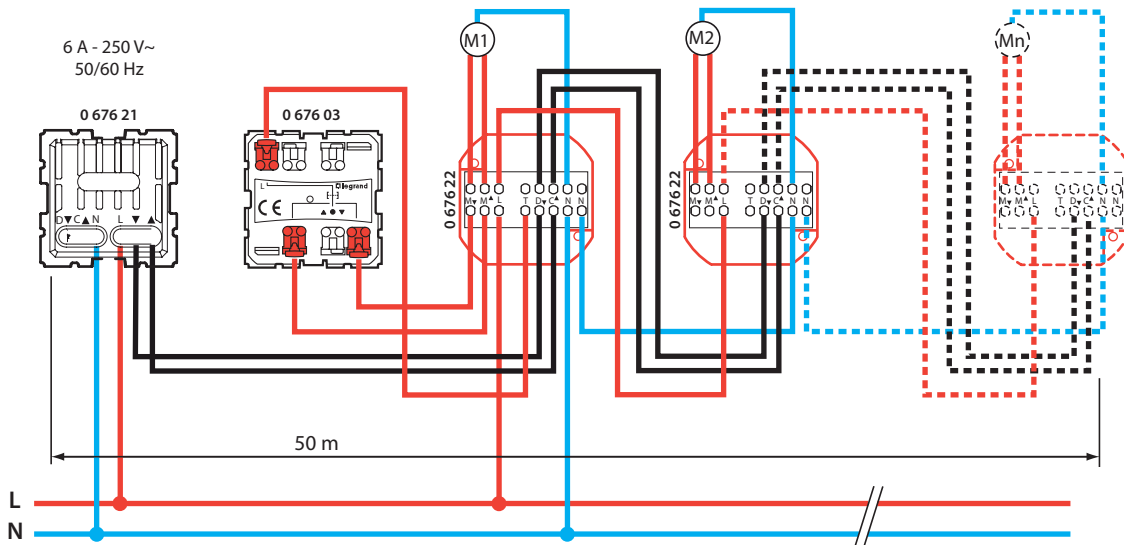


Pushbutton wiring (Cat. No. 0 676 02)



5. CONNECTION (continued)

Pushbutton wiring (Cat. No. 0 676 03)

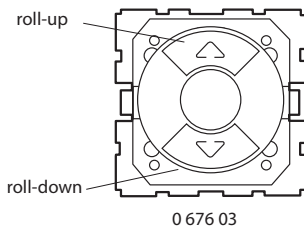
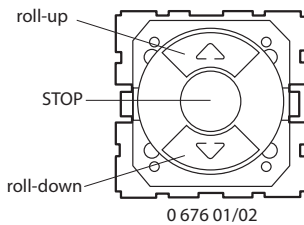


6. OPERATION

Cat. No. 0 676 01: double switch for direct control of opening drives (fixed position mechanism).

Cat. No. 0 676 02: double pushbutton for controlling one or more opening drives via automation control units (closing mechanism).

Cat. No. 0 676 03: double pushbutton for relay control (closing mechanism) of motor opening (without STOP).



7. TECHNICAL DATA

7.1 Technical characteristics

Impact tests: IK 04
Penetration by solid/liquids bodies: IP 41 (C15-1000) } no rocker

7.2 Material characteristics

Housing: Polycarbonate

7.3 Electrical characteristics

Self-extinguishing: 650° C / 30 s

Voltage: 250 VAC

Current: 0 676 01 : 6 AX

0 676 02/03 : 6 A

Max. controlled power: 500 W

7.4 Climatic characteristics

Storage temperatures: - 10° C to + 70° C

Operating temperatures: - 5° C to + 50° C

8. CLEANING

No cleaning.

9. CONFORMITY - APPROVALS

NF